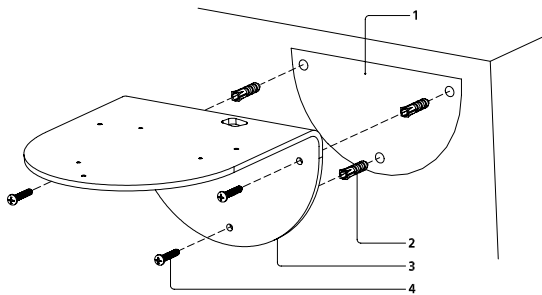


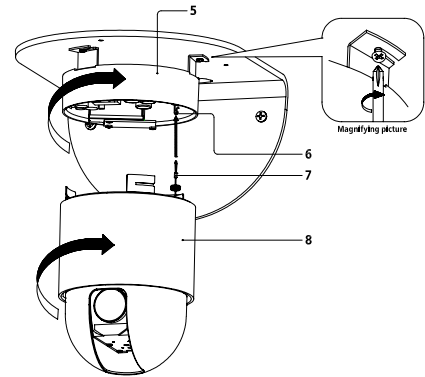
## Indoor Wall Mount CCDA1425-WMI Mounting Instructions

Type                      Order No.                      Designation  
CCDA-1425-WMI    2GF1192-8BO                      Indoor Wall Mount

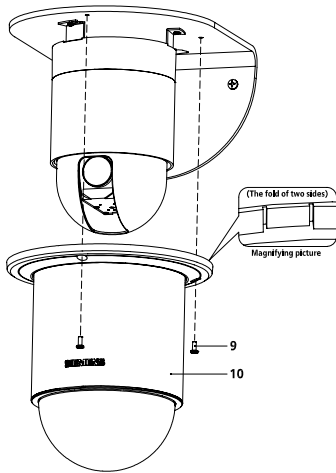
**A**



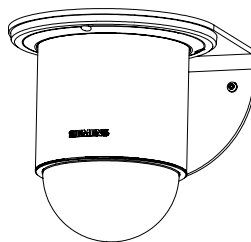
**B**



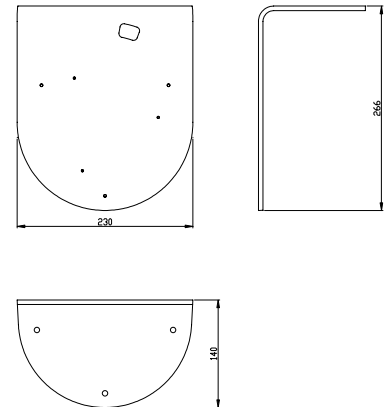
**C**



**D**



**E**



Unit:mm

1	Template
2	Expansion anchors
3	Wall mount
4	Mounting screws
5	Dome base
6	Hook
7	Support wire
8	Dome drive
9	Fixing screws
10	Surface mount (CCDA1425-SM)

## English

### Product description

This wall mount is only designed for installation indoors and only for use in conjunction with a dome camera and indoor surface mount CCDA-1425-SM.

### Important

These mounting instructions are only intended for use by installers who have an adequate working knowledge of video systems!

These instructions outline the most important information about the wall mount. It is, however, vital that you also refer to the detailed CCDA1435 Instruction Manual.

### Package contents

- Wall mount
- 3 expansion anchors
- 3 mounting screws
- Template
- Mounting instructions

### Installation

1. Use the template (1) to drill three holes in the wall (9 mm (3/8") dia. and 40 mm (1-3/4") deep.
2. Hammer an expansion anchor (2) into each hole just drilled.
3. Attach the wall mount (3) to the wall using the mounting screws (4) (see Fig. A).
4. Feed the cables through the opening in the top of the wall mount.
5. Connect the video cable, power cable and communication cables to the connectors on the dome base (5).
6. Attach the speed dome camera to the wall mount using the mechanical screws that were included with the speed dome camera.
7. Tighten the mechanical screws to fix the speed dome base (5) on the wall mount (3) (see Fig. B - magnifying picture).
8. Connect the support wire (7) to the hook (6) of the dome base (see Fig. B).
9. To lock the dome drive (8) to the dome base, line up the notch with the label and turn the dome drive to the right using both hands (see figure B).
10. Decide which gap will be used for the dome cables, then fold superfluous parts in the middle along the fold of both sides (see Fig. C - magnifying picture).
11. Put the surface mount (10) on the wall mount.
12. Use the fixing screws (9) to fasten the surface mount (see Fig. C).
13. The installation is now completed.

### Technical data

Length	266 mm
Height	140 mm
Width	230 mm
Weight	1.3 kg

### Details for ordering

Type	CCDA1425-WMI
Order No.	2GF1192-8BO
Designation	Indoor wall mount
Type	CCDA1425-SM
Order No.	2GF1192-8BB
Designation	Indoor surface mount

English



For more detailed information please refer to the Instruction Manual for 1/4" Speed Dome Cameras CCDA1435.

Deutsch



Nähere Informationen hierzu finden Sie im Installationshandbuch für 1/4" Speed Dome Cameras CCDA1435.

Français



Veillez consultez le guide d'opération des cameras 1/4" Speed Dome CCDA1435 pour d'information plus détaillée.

Nederlands



Uitgebreide Informatie find u in het instructie handboek voor 1/4 Speed Dome Kameras CCDA1435.

Italiano



Per maggiori dettagli si rimanda al manuale specifico di istruzione della telecamera Speed Dome 1/4" CCDA1435.

Polski



Więcej informacji zawiera instrukcja obsługi zintegrowanej kamery szybkoobrotowej 1/4" CCDA1435.

Svenska



För ytterligare information hänvisas till installationsmanualen för 1/4" Speed Dome Cameras CCDA1435.

Español



Por favor, para una información más detallada, consulte con el manual de instrucciones de los domos de alta velocidad de 1/4" CCDA1435.

Portugues



Para mais informações, consulte o Manual do utilizador das Câmaras 1/4" Speed Dome CCDA1435.

Česky



Pro podrobnější informace se prosím podívejte do návodu pro obsluhu 1/4" Speed Dome kamery CCDA1435.