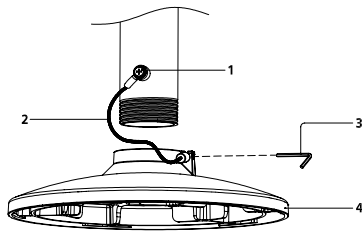


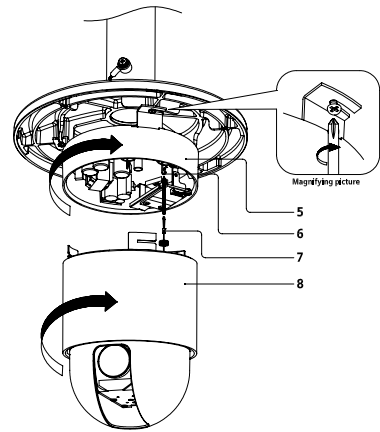
Indoor Pendant Mount Adapter CCDA1425-PMI Mounting Instructions

Type CCDA1425-PMI **Order No.** 2GF1192-8BN **Designation** Indoor Pendant Mount Adapter

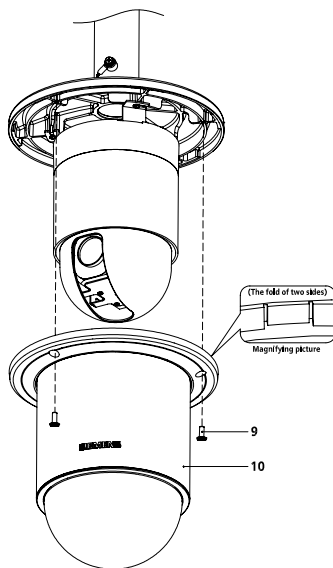
A



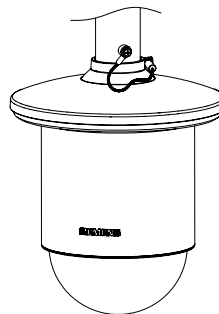
B



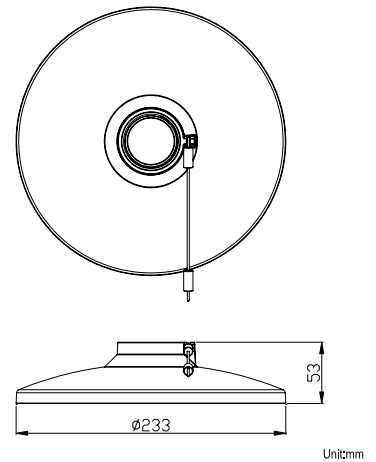
C



D



E



Unit:mm

1	Safety wire screw
2	Safety wire
3	Safety screwdriver
4	Pendant mount adapter
5	Dome base
6	Hook
7	Support wire
8	Dome drive
9	Fixing screws
10	Surface mount (CCDA1425-SM)

English

Product description

This pendant mount adapter is required when a dome camera is to be attached to a pendant mount. It is only designed for installation indoors and only for use in conjunction with a dome camera and indoor surface mount CCDA-1425-SM.

Important

These mounting instructions are only intended for use by installers who have an adequate working knowledge of video systems!

These instructions outline the most important information about the pendant mount adapter. It is, however, vital that you also refer to the detailed CCDA1435 Instruction Manual.

Package contents

- Pendant mount adapter
- 3 fixing screws
- Safety screwdriver
- Mounting instructions

Installation

1. Attach the pendant mount adapter (4) to the pendant mount. Use the safety screwdriver (3) to fasten the fixing screw to prevent the pendant mount adapter from falling (see Fig. A).
2. Connect the video cable, power cable and communication cables to the connectors on the dome base (5).
3. Attach the speed dome camera to the pendant mount adapter using the mechanical screws that were included with the speed dome camera.
4. Tighten the mechanical screws to fix the speed dome base (5) on the pendant mount adapter (4) (see Fig. B - magnifying picture).
5. Connect the support wire (7) to the hook (6) of the dome base (see Fig. B).
6. To lock the dome drive (8) to the dome base, line up the notch with the label and turn the dome drive to the right using both hands (see figure B).
7. Put the surface mount (10) on the pendant mount adapter.
8. Use the fixing screws (9) to fasten the surface mount (see Fig. C).
9. The installation is now completed.

Technical data

Height	53 mm
Diameter	233 mm
Weight	0.63 kg

Details for ordering

Type	CCDA1425-PMI
Order No.	2GF1192-8BN
Designation	Indoor pendant mount adapter

Type	CCDA1425-SM
Order No.	2GF1192-8BB
Designation	Indoor surface mount

English



For more detailed information please refer to the Instruction Manual for ¼" Speed Dome Cameras CCDA1435.

Deutsch



Nähere Informationen hierzu finden Sie im Installationshandbuch für ¼" Speed Dome Cameras CCDA1435.

Français



Veillez consultez le guide d'opération des cameras ¼" Speed Dome CCDA1435 pour d'information plus détaillée.

Nederlands



Uitgebreide Informatie find u in het instructie handboek voor ¼" Speed Dome Kameras CCDA1435.

Italiano



Per maggiori dettagli si rimanda al manuale specifico di istruzione della telecamera Speed Dome ¼" CCDA1435.

Polski



Więcej informacji zawiera instrukcja obsługi zintegrowanej kamery szybkoobrotowej ¼" CCDA1435.

Svenska



För ytterligare information hänvisas till installationsmanualen för ¼" Speed Dome Cameras CCDA1435.

Español



Por favor, para una información más detallada, consulte con el manual de instrucciones de los domos de alta velocidad de ¼" CCDA1435.

Portugues



Para mais informações, consulte o Manual do utilizador das Câmaras ¼" Speed Dome CCDA1435.

Česky



Pro podrobnější informace se prosím podívejte do návodu pro obsluhu ¼" Speed Dome kamery CCDA1435.