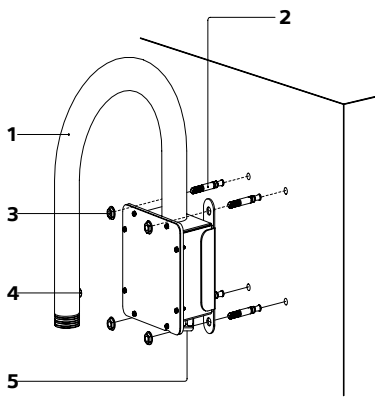


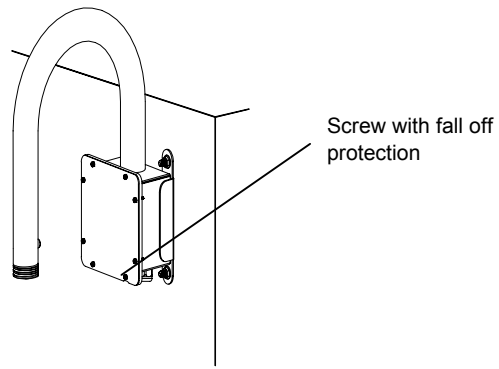
Quick Start Guide for Wall Mount with Junction Box CCDA1425-WMJ

Model Number	Part Code	Designation
CCDA1425-WMJ	2GF1192-8BF	Wall Mount with Junction Box

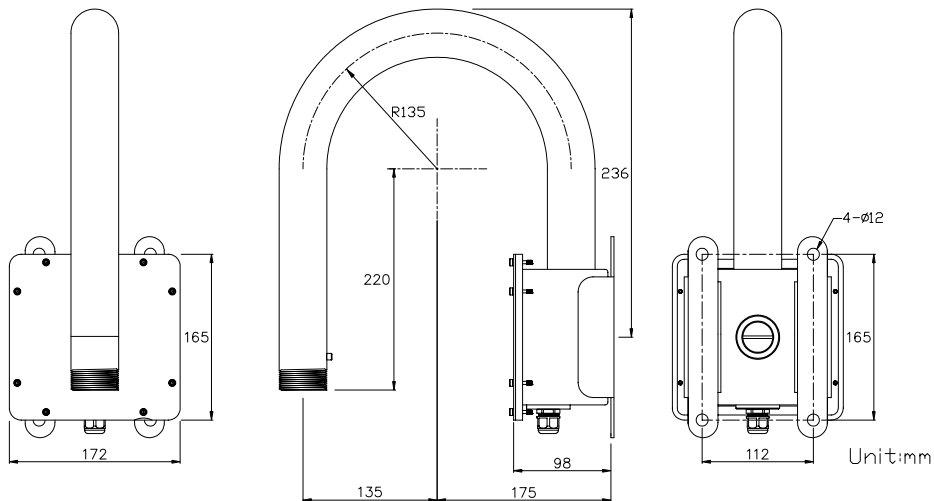
A



B



C



Important

This quick start guide is only intended for use by installers who have an adequate working knowledge of video systems!

This guide outlines the most important information about the wall mount incl. junction box. It is, however, vital that you also refer to the detailed CCDA1425 instruction manual.

Package content

- Wall mount with junction box
- Template
- Expansion anchors
- Hexagon head nuts
- Safety screwdriver
- Rubber cap
- Plastic cable-gland
- Sealed pins

Mount parts

See figure A

1. Wall mount with junction box
2. Expansion anchors
3. Hexagon head nuts
4. Safety wire screw

Installing the mount

5. Paste the template on the wall.
6. Drill 4 holes into the wall with Ø 3/8" (9.5 mm), depth 1 1/2" (40 mm).
7. Use a hammer to put an expansion anchor (1) into each hole just drilled (see figure A).
8. Attach the wall mount with junction box (2) to the wall, then fasten the 4 hexagon head nuts (3) securely (see figure B).
9. Open the junction box by unscrewing all the screws on the junction box (except the marked one Figure B) using the special hexagon driver included.
10. Feed the pile of lines through the mount pipe to the junction box.
11. Pull the rubber cap onto the mount pipe.
12. Attach an outdoor housing to the wall mount with junction box. Use an Allen key to fasten the fixing screw to prevent the outdoor housing from falling.
13. Fix the safety wire of the outdoor dome housing to the mount using the safety wire screw.

14. Place the rubber cap in the proper position.
15. Use a screwdriver to fasten the safety wire on the junction box.
16. Connect the speed dome cables to the junction board.
17. Connect the cables from appliances to the junction board.
18. Close the junction box and fasten all screws securely using the special hexagon driver included.
19. The installation is completed.

Operation and storage

Do not operate the unit:

- Where exposed to mechanical vibrations

Specifications

Length:	338 mm
Width:	172 mm
Height:	427 mm
Storage temperature:	-20 – +60 °C
Weight:	4.8 kg
Relative humidity:	0 – 90%
Protection type:	IP66

Note:

Use waterproof adhesive to wind around the connection (thread) between pipes to prevent water from entering.

The Pipe Screw (NPT3/4"-14) is inserted in the rear hole of junction box.

There are plastic cable glands enclosed with the wall mount with junction box. One of it with 4 holes for Ø4~7mm cables (It's assembled on the bottom end of junction box), the other one is with 1 hole for Ø10~16mm cable. There're relative sealed pins for each hole. To remain waterproof, please put the sealed pins in the hole without cable in.

All the appliances cable should be fed in the junction box through the bottom end to remain waterproof.



CAUTION

1. When using outdoor housing ensure, that safety-wire of dome housing is always fixed firmly to the mount, to prevent unit from falling down.
2. Check assembly by pulling. Assembly should not come apart.

English



For more detailed information please refer to the Instruction Manual for 1/4" Speed Dome Cameras.

Deutsch



Nähere Informationen hierzu finden Sie im Installationshandbuch für 1/4" Speed Dome Cameras.

Français



Veillez consultez le guide d'opération des cameras 1/4" Speed Dome pour d'information plus détaillée.

Nederlands



Uitgebreide Informatie find u in het instructie handboek voor 1/4 Speed Dome Kameras.

Italiano



Per maggiori dettagli si rimanda al manuale specifico di istruzione della telecamera Speed Dome 1/4".

Polski



Więcej informacji zawiera instrukcja obsługi zintegrowanej kamery szybkoobrotowej 1/4".

Svenska



För ytterligare information hänvisas till installationsmanualen för 1/4" Speed Dome Cameras.

Español



Por favor, para una información más detallada, consulte con el manual de instrucciones de los domos de alta velocidad de 1/4".

Česky



Pro podrobnější informace se prosím podívejte do návodu pro obsluhu 1/4" Speed Dome kamery.