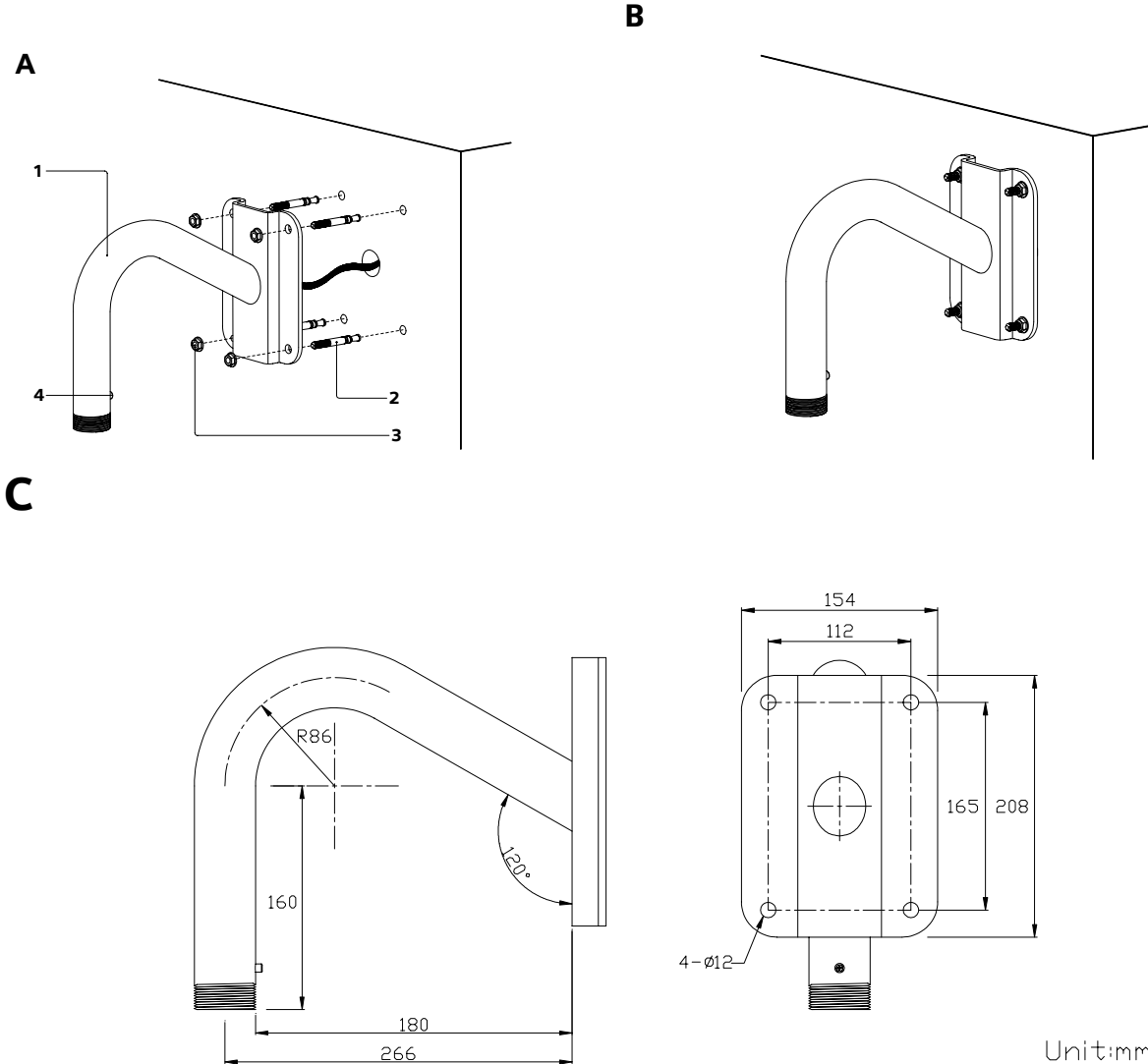


## Quick Start Guide for Wall Mount CCDA1425-WM

Model Number	Part Code	Designation
CCDA1425-WM	2GF1192-8BE	Wall Mount



## English

### Important

This quick start guide is only intended for use by installers who have an adequate working knowledge of video systems!

This guide outlines the most important information about the wall mount. It is, however, vital that you also refer to the detailed CCDA1425 instruction manual.

### Package content

- Wall mount
- Template
- Expansion anchors
- Hexagon head nuts
- Rubber cap

### Mount parts

See figure A

1. Wall mount
2. Expansion anchors
3. Hexagon head nuts
4. Safety wire screw

### Installing the mount

5. Paste the template on the wall.
6. Drill 4 holes into the wall with  $\varnothing \frac{3}{8}$ " (9.5 mm), depth  $1\frac{1}{2}$ " (40 mm).
7. Use a hammer to put an expansion anchor (1) into each hole just drilled (see figure A).
8. Attach the wall mount (2) to the wall, then fasten the 4 hexagon head nuts (3) securely (see figure B).
9. Pull the rubber cap onto the mount pipe.
10. Attach an outdoor housing to the wall mount. Use an Allen key to fasten the fixing screw to prevent the outdoor housing from falling.
11. Fix the safety wire of the outdoor dome housing to the mount using the safety wire screw.
12. Place the rubber cap in the proper position.
13. The installation is completed.

### Operation and storage

Do not operate the unit:

- Where exposed to mechanical vibrations

### Specifications

Length:	315 mm
Height:	270 mm
Width:	154 mm
Storage temperature:	-20 – +60 °C
Weight:	3.4 kg
Relative humidity:	0 – 90%



#### CAUTION

1. When using outdoor housing ensure, that safety-wire of dome housing is always fixed firmly to the mount, to prevent unit from falling down.
2. Check assembly by pulling. Assembly should not come apart.



#### Note:

Use waterproof adhesive to wind around the connection (threads) between pipes to prevent water from entering.

English



For more detailed information please refer to the Instruction Manual for ¼" Speed Dome Cameras.

Deutsch



Nähere Informationen hierzu finden Sie im Installationshandbuch für ¼" Speed Dome Cameras.

Français



Veillez consulter le guide d'opération des caméras ¼" Speed Dome pour d'information plus détaillée.

Nederlands



Uitgebreide Informatie find u in het instructie handboek voor ¼ Speed Dome Kameras.

Italiano



Per maggiori dettagli si rimanda al manuale specifico di istruzione della telecamera Speed Dome ¼".

Polski



Więcej informacji zawiera instrukcja obsługi zintegrowanej kamery szybkoobrotowej ¼".

Svenska



För ytterligare information hänvisas till installationsmanualen för ¼" Speed Dome Cameras.

Español



Por favor, para una información más detallada, consulte con el manual de instrucciones de los domos de alta velocidad de ¼".

Česky



Pro podrobnější informace se prosím podívejte do návodu pro obsluhu ¼" Speed Dome kamery.